

## All-in-One Touch Screen POS System

### POP-950



LCD Bracket with 10.4 inch  
Secondary LCD Display



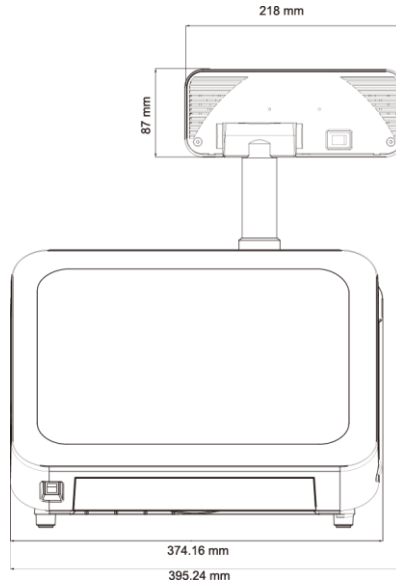
Modular 80mm Thermal Printer Unit  
and Pole Type VFD Customer Display



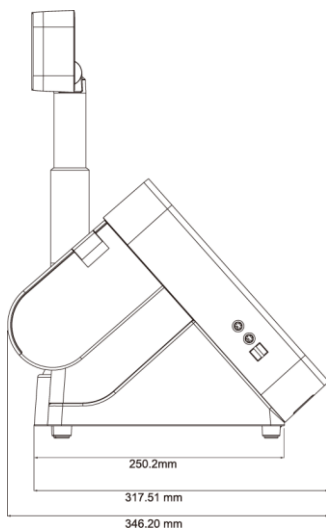
Short-Type 8 inch Secondary LCD  
Display



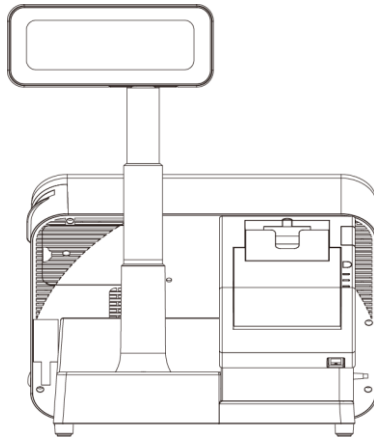
- **Dimensions**



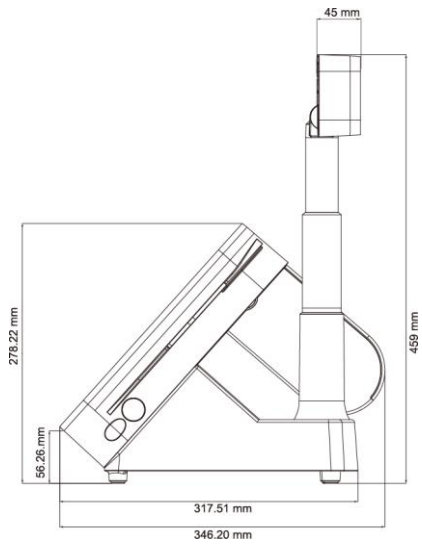
**Front View**



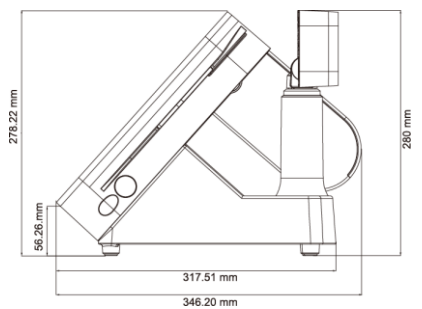
**Left View**



**Rear View**



**Right View**



- Specifications

Model	POS-950-i
<b>Main Board</b>	
CPU	Intel® Core™ i7 3630QM , 2.4GHz (6M Cache, up to 3.40 GHz) Intel® Core™ i5 3320M , 2.6GHz (3M Cache, up to 3.30 GHz) Intel® Core™ i3 3120M , 2.5GHz (3M Cache, 2.50 GHz)
Chipset	Intel® QM77 Express chipset
System Memory	2 x 204 pin DDR3 SO-DIMM Socket 1333MHz, up to 16GB
Graphic Memory	Intel® HD Graphics 4000
OS Support	POS Ready 2009, POS Ready 7, XP Pro, Vista, Windows 7, Windows 8.1, Windows 10, Linux
<b>Display</b>	
Screen Size	15" LCD Monitor
Brightness	300 nits
Resolution	1024 x 768 Pixel
Touch Screen	5 Wire Resistive Type
Tilting Angle	Fixed 50 Degree
<b>Storage</b>	
HDD	1 x 2.5" SATA
Auxiliary Storage	1 x CFAST Slot for SATAI / SATA II
<b>Interface</b>	
Serial	4 x COM (3 x DB9, 1 x RJ45 with power output, 5/12V selectable)
Parallel	Optional
USB	2 x USB 3.0 (External), 4 x USB 2.0 (External), 3 x USB 2.0 (Internal, reserved for touch screen, Wi-Fi, and MSR)
Mini PCIe	---
PS/2 Mouse	
PS/2 Key Board	1 x mini-DIN-6 port for PS/2 Keyboard/Mouse
Programmable KB	---
LAN	1 x RJ-45, Giga LAN Support
VGA	1 x DB-15, Female
DC Out	1 x 12VDC Jack for Customer Display or 2nd Display
Cash Drawer	1 x RJ-11, 12/24 VDC Selectable
Audio Jack	1 x Line Out, 1 x MIC In, 2 x Internal Speaker 2W
<b>Others</b>	
Power Input	12VDC 90W, 4-pin Connector with Lock (External Adaptor: 100~240 VAC, 50/60HZ)
Color	White, Black, Orange
Compliance	FCC / CE / WEEE / RoHS
Weight	8.5 Kg
Dimension (W x D x H: mm)	374(W) x 346(D) x 280(H)
Operating Temperature	0°C ~ 40°C
Operating Humidity	20% ~ 80% RH non-condensing
Storage Temperature	-20°C~ 60°C
Storage Humidity	20% ~ 85% RH non-condensing



Model	POS-950-B
<b>Main Board</b>	
CPU	Intel® Bay Trail-D Platform, Celeron® Processor J1900
Chipset	---
System Memory	1 x DDR3L SO-DIMM 1333MHz, up to 8 GB
Graphic Memory	Intel® HD Graphics
OS Support	POS Ready 7, Linux, Windows 7, Windows 8.1, Windows 10
<b>Display</b>	
Screen Size	15" LCD Monitor
Brightness	300 nits
Resolution	1024 x 768 Pixel
Touch Screen	5 Wire Resistive Type
Tilting Angle	Fixed 50 Degree
<b>Storage</b>	
HDD	1 x 2.5" SATA
Auxiliary Storage	1 x CFast Slot for SATA I / SATA II
<b>Interface</b>	
Serial	4 x COM (DB9, with COM 1/COM 2 power output, +5VDC/+12VDC, selectable by Jumper)
Parallel	---
USB	1 x USB 3.0 (External), 4 x USB 2.0 (External, 2 x bottom/ 2 x side)
Mini PCIe	---
PS/2 Mouse	
PS/2 Key Board	1 x PS/2 (for PS/2 Keyboard/Mouse)
Programmable KB	---
LAN	1 x RJ-45, Giga LAN Support
VGA	1 x DB-15, Female
DC Out	1 x 12VDC Jack for Customer Display or 2nd Display, 1 x 24VDC 3-pin Connector with Lock for Printer
Cash Drawer	1 x RJ-11, +12/+24 VDC
Audio Jack	1 x Line Out, 1 x MIC In, 2 x Internal Speaker 2W
<b>Others</b>	
Power Input	12VDC 90W, 4-pin Connector with Lock (External Adaptor: 100~240 VAC, 50/60HZ)
Color	White, Black, Orange
Compliance	FCC / CE / WEEE / RoHS
Weight	8.5 Kg
Dimension (W x D x H: mm)	374(W) x 280(H) x 346(D)
Operating Temperature	0°C~40°C
Operating Humidity	20% ~ 80% RH non-condensing
Storage Temperature	-20°C~ 60°C
Storage Humidity	20% ~ 85% RH non-condensing

